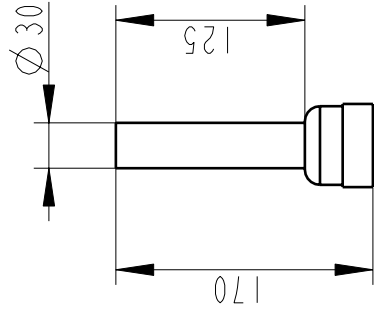
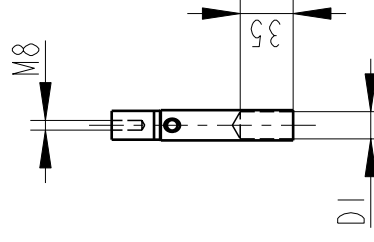


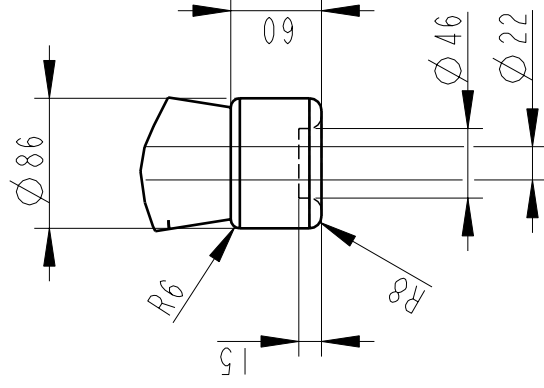
OUTER TERMINAL



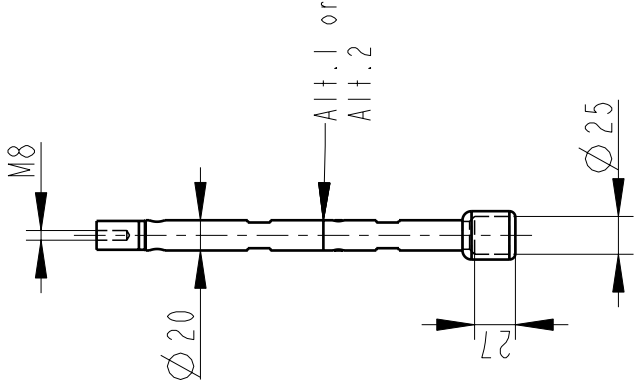
INNER TERMINAL FOR STRANDED CABLE



END SHIELD



SOLID ROD CONNECTOR



The solid rod can be divided either:
 Alt.1: 20mm below the bushing flange or
 Alt.2: 20mm below the upper end of the bottom porcelain

Bushing Data:

Rated Voltage	72.5	kV
Phase to Ground Voltage	72.5	kV
Dry Lightning Impulse 1,2/50µs	350	kV
Wet power frequency AC	140	kV
Routine test Imin dry 50Hz	160	kV
Rated Current	800	A
Creepage Distance	1980±50	mm
Creepage Distance Protected	775	mm
Mass	31	kg

Ordering Data:

BUSHING COLOUR AIR INSULATOR

LF123027-K BROWN
 -L LIGHT GREY

OUTER TERMINAL

LF 170 002-A Cu, Ø30, L=125
 LF 170 001-A Al, Ø30, L=125

OTHER TYPES ON REQUEST

INNER TERMINAL FOR STRANDED CABLE

For brazing Conductor area DI
 LF 170 011-S up to 150mm² Ø18
 LF 170 011-U Undrilled with pilot hole Ø5

For crimping or brazing

Conductor area DI
 LF 170 010-M 50mm² Ø11
 LF 170 010-N 70mm² Ø13
 LF 170 010-L 95mm² Ø15

SOLID ROD CONNECTOR

LF 170 019 -K for Alt.1
 LF 170 019 -G for Alt.2

ABB Components		Lumiva, Sweden	
No.	Urdu	kV	A 50/60 Hz
LI	SI / AC	mm	V
M	kg	L	mm
C1	pf	Tan δ	z
C2	pf	Tan δ	z

Based on	Reg. No.
Prepared	Responsible department
LÖVnord	COM/BK
Approved	Take over department
Johansson	Database
Design engineering review	
Hedlund	

Title	Language
GOB 325-800-0.3	82
WITHOUT OIL LEVEL GAUGE	Page
SHORT END SHIELD	I(1)

ABB ABB Components

Document No. 2751369-123

We reserve all rights in this document and in the information contained therein. Reproduction, use or disclosure to third parties without express authority is strictly forbidden.
 ©ABB